

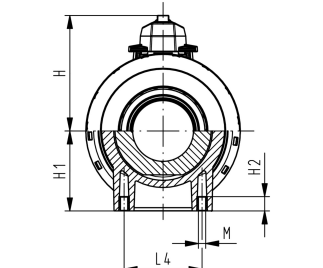
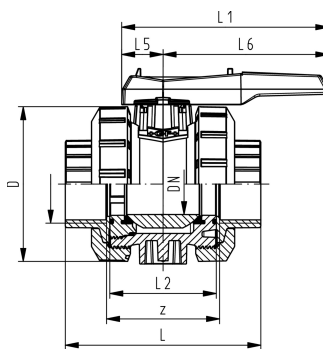
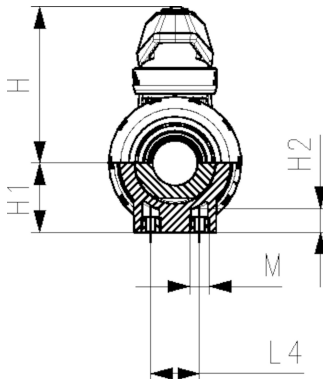
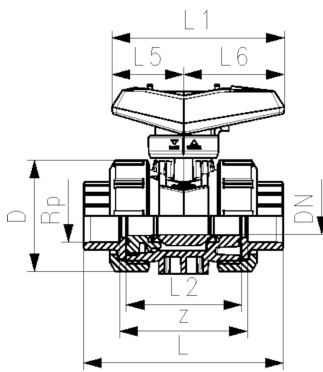
Ball valve type 546 Pro PVC-U With threaded sockets Rp

Model:

- Lockable lever as standard (DN10-DN50)
- For easy installation and removal
- Ball seat PTFE
- Integrated stainless steel mounting inserts
- Z-dimension, valve end and union nut **are compatible** with type 546 (1st Generation)

Option:

- Interface-module with position feedback sensor, incl. LED feedback (DN10-50)
- Manual spring return lever ("Dead man") (DN10-25)
- Pneumatic or electric actuators from GF
- Individual configuration of the valve possible
- Multifunctional module with integrated limit switches (DN65-100)



d (mm)	DN (mm)	Thread Type	Size (inch)	PN (bar)	kv-value ($\Delta p=1$ bar) (L/min)	EPDM Code	SP	Weight (kg)
16	10	Rp	3/8	10	71	161 546 741	1	0.152
20	15	Rp	1/2	10	185	161 546 742	1	0.159
25	20	Rp	3/4	10	350	161 546 743	1	0.242
32	25	Rp	1	10	700	161 546 744	1	0.352
40	32	Rp	1 1/4	10	1000	161 546 745	1	0.605
50	40	Rp	1 1/2	10	1600	161 546 746	1	0.805
63	50	Rp	2	10	3100	161 546 747	1	1.580
75	65	Rp	2 1/2	10	5000	161 546 748	1	5.000
90	80	Rp	3	10	7000	161 546 749	1	6.300
110	100	Rp	4	10	11000	161 546 750	1	11.700

FKM Code	SP	Weight (kg)
161 546 751	1	0.152
161 546 752	1	0.152
161 546 753	1	0.232
161 546 754	1	0.332
161 546 755	1	0.605
161 546 756	1	0.805
161 546 757	1	1.465
161 546 758	1	5.000
161 546 759	1	7.500
161 546 760	1	11.700

D (mm)	H (mm)	H1 (mm)	H2 (mm)	L (mm)	L1 (mm)	L2 (mm)	L4 (mm)	L5 (mm)	L6 (mm)	M	z (mm)
50	61	27	12	95	82	56	25	35	47	M6	73
50	61	27	12	100	82	56	25	35	47	M6	71
58	74	30	12	114	106	65	25	44	62	M6	82
68	80	36	12	127	106	71	25	44	62	M6	89
84	95	44	15	146	131	85	45	57	74	M8	104
97	102	51	15	152	131	89	45	57	74	M8	110
124	117	64	15	176	152	101	45	66	86	M8	125
166	150	85	15	233	270	136	70	64	206	M8	176
200	161	105	15	254	270	141	70	64	206	M8	191
238	178	123	22	301	320	164	120	64	256	M12	211

Data sheet

valid from: 6/8/22



The technical data are not binding. They neither constitute expressly warranted characteristics nor guaranteed properties nor a guaranteed durability. They are subject to modification. Our General Terms of Sale apply.

Georg Fischer Piping Systems Ltd, Postfach, CH-8201 Schaffhausen/Switzerland

Phone +41 -(0)52-631 1111

e-mail: info.ps@georgfischer.com

Internet: <http://www.gfps.com>